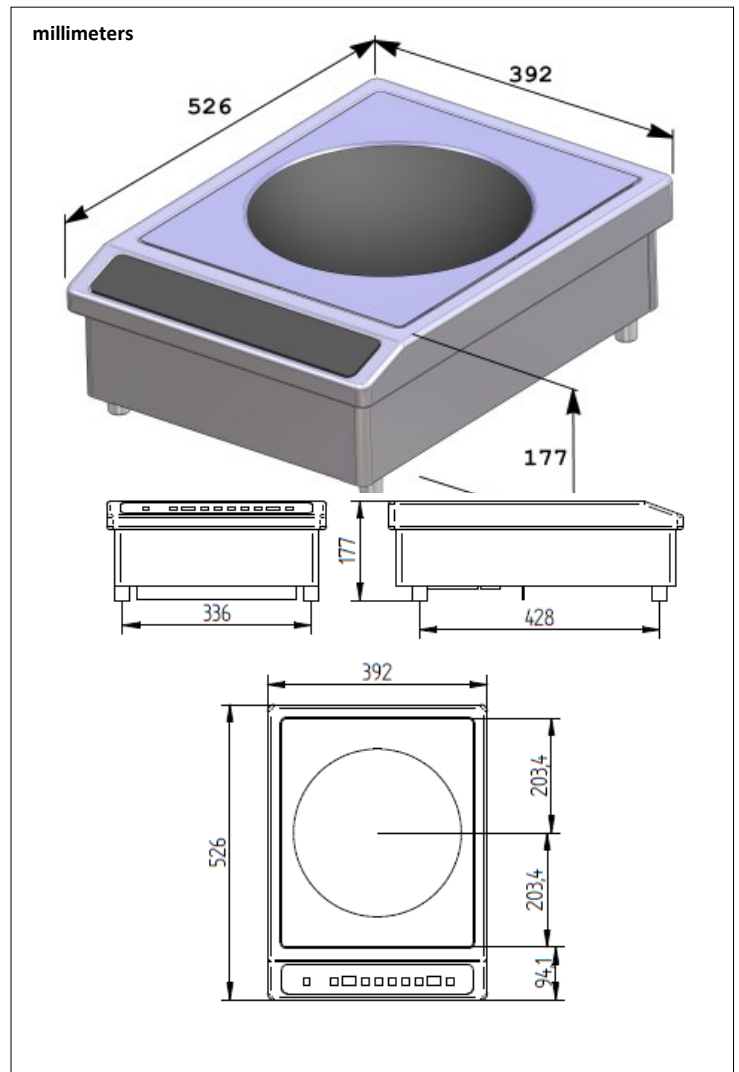


| TECHNICAL FEATURES |  |
|--------------------|--|
| External structure | AISI 304 stainless steel   |
| Dimensions         | 526 x 392 x 177  |
| Power              | 3000W  |
| Cooking surface    | Vitroc ceramic glass.  |
| Control panel      | Glass touches  |
| Amp                | 13 A   |
| Functions          | On/Off, manual power and temperature setting (+/-) with 4 digits display, 3 presets, timer control with 2 digits display |
| Power supply       | 230V;<br>AC 50 - 60 Hz   |
| Weight             | 10.5 kg / 22,1 lbs.  |
| Standards          | Complies with European standards for safety of electrical appliances, for EMC, for Rohs and Intertek NSF & UL standards. |
| Details & Options  | Including a power cord, a washable filter (wash regularly). Wok pan included with unit.                                  |



**ADVENTYS**  
Route de Pagny - 21250 Seurre - France  
www.adventys.com  
sales@adventys.com  
T: +33 3 80 20 46 15

**Important note**

Adventys reserves the right to modify specifications without notice.

